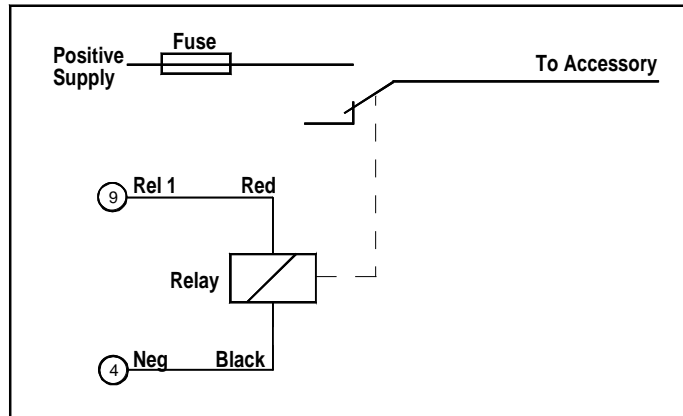


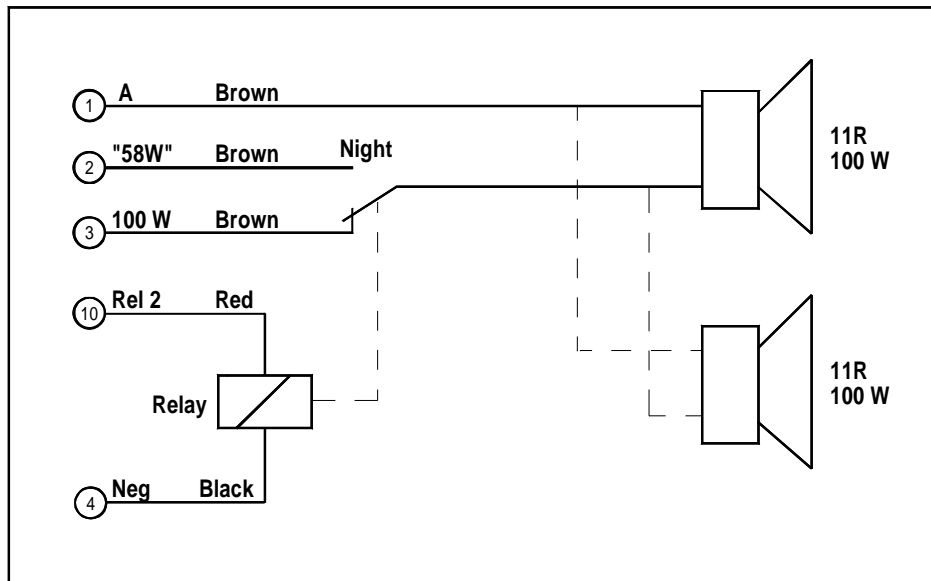
PREMIER HAZARD
Wiring Instructions for French 7000 Sirens

7109 Models

Wiring for Accessory



Wiring for Night / Day Operation



Night setting only permissible on Police and UMH services.

This output should not be used for controlling accessories as the "Night" setting is overridden when going to Public Address modes.

Relays to be supplied by customer

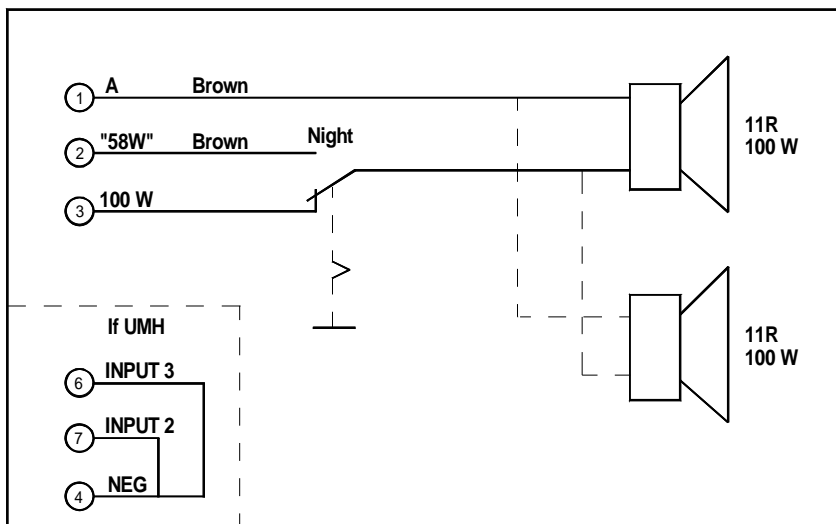
Switch Positions

Position	Accessory	Volume
Up	On	Day
Centre	Off	Day
Down	On	Night

PREMIER HAZARD
Wiring Instructions for French 7000 Sirens

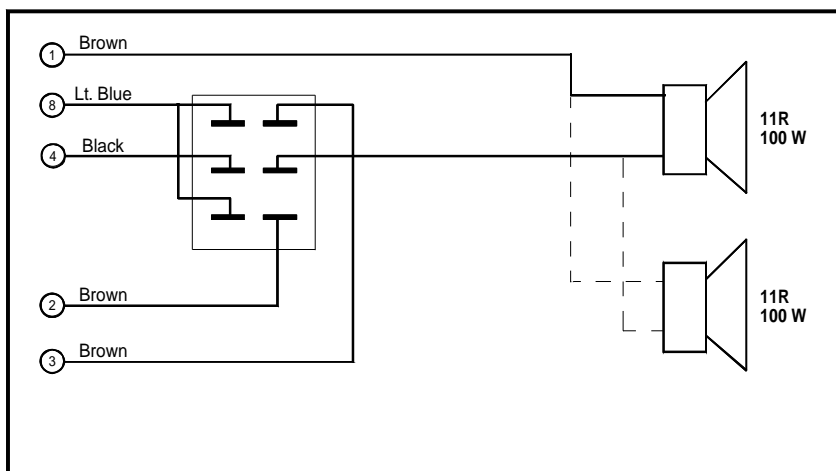
7004 Models

Wiring for Night / Day settings



Night setting only permissible on Police and UMH services.
Two position switch to be supplied by customer.

Wiring for On / Off and Day / Night from one switch



Switch is to be supplied by customer and is *Centre Off* giving *Day - Off - Night* operation.